



Clickfine®

Enjoy brilliance.



swissmade+

mylife Clickfine DiamondTip – with the unique 6-bevel technology.

- 6-bevel needle tip designed for virtually pain free injection
- Extra Thin Wall cannula for an optimised drug flow
- Click technology for an easy and secure fit
- Special silicone surface treatment for advanced injection comfort
- Compatible with all major injection pen brands¹ and available in 4 mm, 5 mm, 6 mm and 8 mm lengths

DIAMOND TIP 



More freedom. More confidence. With mylife.

MTD

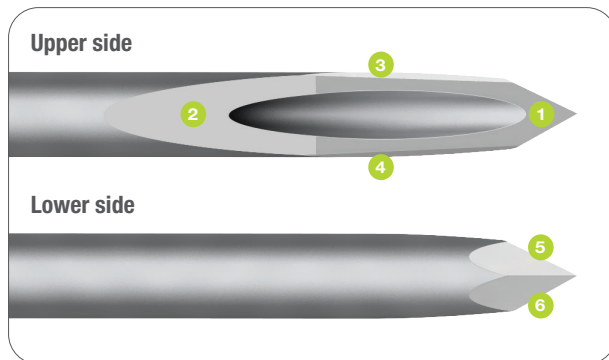
Medical Technology and Devices



DiamondTip – with the unique 6-bevel technology

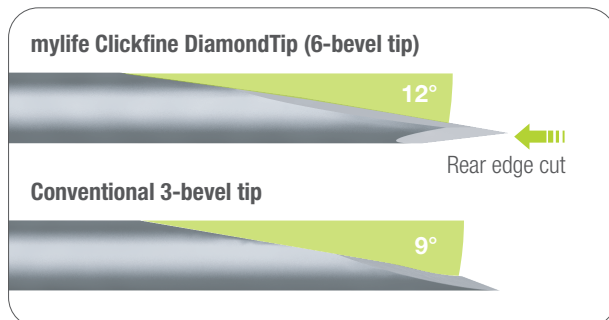
Designed for a gentle and smooth injection

Particularly slim needle tip with low resistance during injection due to an innovative 6-bevel tip.



DiamondTip: high-precision 6-bevel pen needle tip ①–⑥.

Available in 4 mm, 5 mm, 6 mm and 8 mm lengths.



The mylife Clickfine DiamondTip with the innovative 6-bevel technology:

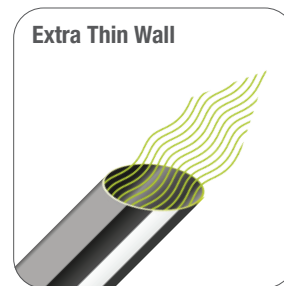
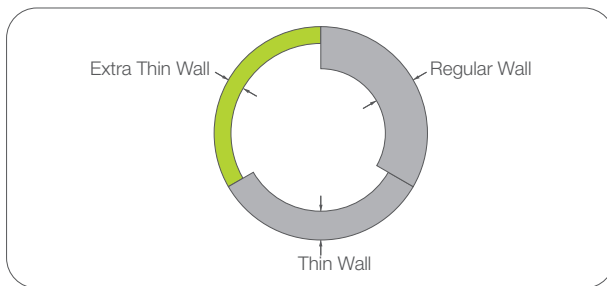
The fine needle tip has 4 bevels on the upper side and 2 bevels on the lower side. Cutting from two sides in combination with the cutting angles, makes the pen needle more pointed and sharper in comparison to a conventional 3-bevel needle tip.



Extra Thin Wall cannula

For an optimised drug flow

Larger inner diameter with an unchanged outer diameter



Due to the larger inner diameter:

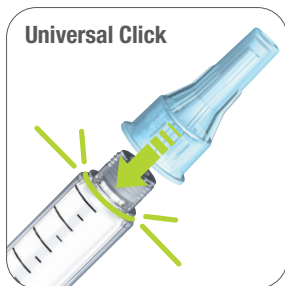
- Improved medication through greater flow rate
- Less force is required when pushing the injection button
- Faster delivery of the dose

The 6-bevel tip and the Extra Thin Wall cannula are designed for even easier, faster, smoother and less painful injections.

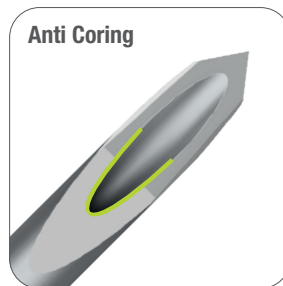


Premium quality features

Experience reliable comfort



Universal click technology for easy attaching on the injection pen.



The special treatment removes unevenness, prevents fraying of the ground edge and enables a smooth injection.



Special silicone surface treatment enables constant gliding characteristics and smooth penetration.

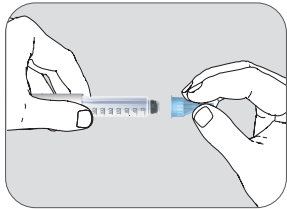


Free tear-off tab allows the peel foil to be removed quickly.

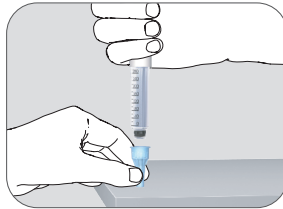


Easy and fast attaching

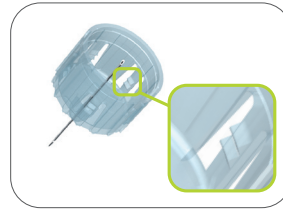
Clicks on all major injection pen brands¹



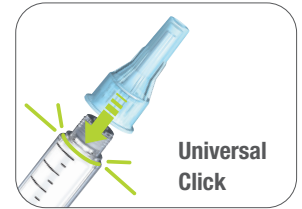
Click on the pen needle and press it straight down – firm seating is ensured through an audible “click”.



Tip: Place the pen needle vertically on a table and click the pen onto it from above.



Five sets of dual snappers for a secure fit.



Universal click technology.

One “Click” for a faster injection²

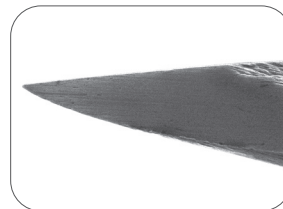


“Click” before each injection

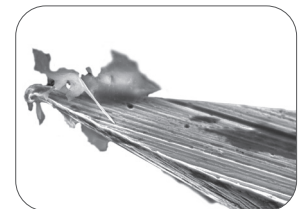
Each pen needle is sterile and designed for single use

Risks of multiple use

- The tip of the pen needle becomes blunter and can deform. This promotes tissue damage such as lipohypertrophy.
- The pen needle is no longer sterile. The risk of infections increases.
- Insulin can crystallise in the pen needle and block the pen needle.
- The effect of insulin is impaired. This can lead to unexplained fluctuations in blood glucose levels.



New pen needle



Used pen needle with attached tissue residues



This symbol on the pen needle box indicates that they are **single-use products**.



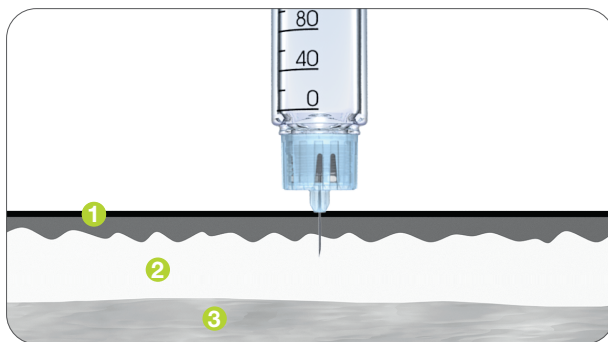
Short pen needles

Reliable subcutaneous injection

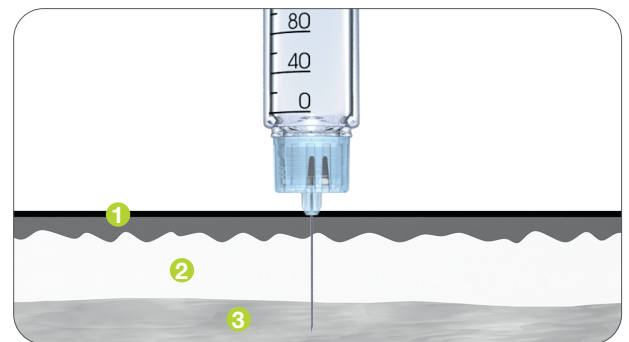
The correct injection technique is essential to avoid intradermal or intramuscular injections, to provide optimal delivery into the subcutaneous tissue and to avoid common complications such as lipohypertrophy.

- 4 mm and 5 mm pen needles simplify the injection technique. Injections can often be given at a 90 degree angle without forming a skin fold (children, adolescents and slim adults should form skin folds).³
- Short pen needles reduce the risk of inadvertent injections into the muscle which can lead to severe hypoglycaemia.³
- When injecting with skin folds, people with diabetes often use a particularly limited injection region, which can promote lipohypertrophies on the left and right middle abdomen.³
- The thickness of the skin (epidermis and corium) is rarely greater than 3 mm, regardless of the BMI (Body Mass Index),⁴ so that a shorter pen needle is usually sufficient.

- 1 Skin (epidermis and dermis) 2 Subcutaneous fatty tissue (subcutis) 3 Muscle



- ✓ 4 mm and 5 mm pen needles often permit safe subcutaneous injections even without forming a skin fold.



- ✗ Long pen needles increase the risk of injecting into the muscle.



Choosing the correct pen needle length

User-friendly colour coding

The mylife Clickfine DiamondTip with 6-bevel technology and Extra Thin Wall cannula is available in four different lengths and different outer diameters (gauge):



Product overview

Item	Contents	Cannula diameter	Needle tip
mylife Clickfine DiamondTip 4 mm	100 pcs.	32G/0.23 mm, Extra Thin Wall	6-bevel
mylife Clickfine DiamondTip 5 mm	100 pcs.	31G/0.25 mm, Extra Thin Wall	6-bevel
mylife Clickfine DiamondTip 6 mm	100 pcs.	31G/0.25 mm, Extra Thin Wall	6-bevel
mylife Clickfine DiamondTip 8 mm	100 pcs.	31G/0.25 mm, Extra Thin Wall	6-bevel



The 10mm and 12 mm lengths are available with a 3-bevel tip and Thin Wall cannula.



Product overview

Item	Contents	Cannula diameter	Needle tip
mylife Clickfine 10 mm	100 pcs.	29G/0.33 mm, Thin Wall	3-bevel
mylife Clickfine 12 mm	100 pcs.	29G/0.33 mm, Thin Wall	3-bevel



Universal Click

mylife Clickfine fits all major injection pen brands¹

The mylife Clickfine pen needles are tested in accordance with ISO 11608-2:2012. They are fully functional when used with the indicated injection pens on the website and on the mylife Clickfine pen needle box.

Fits the following injection pens:

www.mtd-mylife.com/pen-compatibility

¹ See pen needle box or our website <https://mtdglobal.com/mylife/>.

² User survey mylife Clickfine with DiamondTip; Ypsomed AG, conducted by IFAK Institut GmbH & Co. Kg, Germany, 2015.

³ Frid A.H. et al.: New Insulin Delivery Recommendations. Mayo Clin Proc. 2016. 91(9): p. 1231–1255.

⁴ Gibney M.A. et al.: Skin and subcutaneous adipose layer thickness in adults with diabetes at sites used for insulin injections: implications for needle length recommendations. Curr Med Res Opin. 2010. 26(6): p. 1519–1530.



Diabetescare

More **freedom.**
More **confidence.**
With **mylife.**



Blood glucose monitoring systems



Therapy management



Pen needles

With its mylife Diabetescare brand, MTD offers a comprehensive portfolio of products and services for people with diabetes. This allows users easy, discreet and reliable self-treatment. With mylife Diabetescare, self-treatment becomes simpler and easier.

mylife™ is a licensed brand in relation to pen needles and blood glucose monitoring systems businesses.

MTD Medical Technology and Devices

Registered office: Via Saldarini Catelli, 10 – 22070 Casnate con Bernate (CO) Italy

Operating office: Via Benigno Crespi, 57 – 20159 Milano (Italy)

<https://mtdglobal.com>

10189042-MSTR-en/V03